



# 17,000 BTU / 1.4 ton Condenser Chiller Module AN/TSC-156



**Challenge !**  
**Meet Platform form, fit & function envelope**

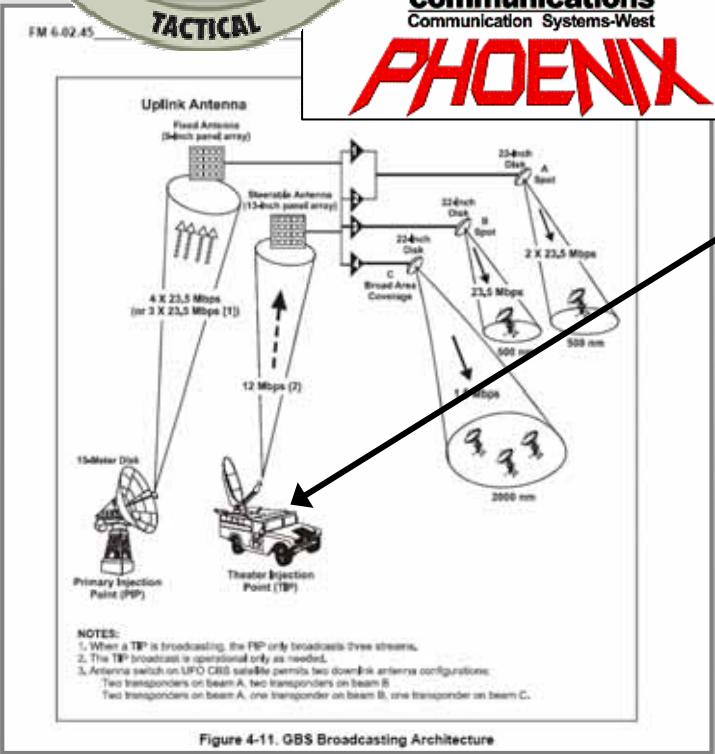


Figure 4-11. GBS Broadcasting Architecture

LIN: S23268 C 2 SATELLITE COMMUNICATION SYSTEM:  
 AN/TSC-156 G B16 5895-01-511-2772 7G 2 SAT COM SY AN/TSC-  
 156 \$1,296,692.00 EA P A S 05051006  
 Source: SB 700-2



# Heat Management & Configuration **Solution** AN/TSC-156

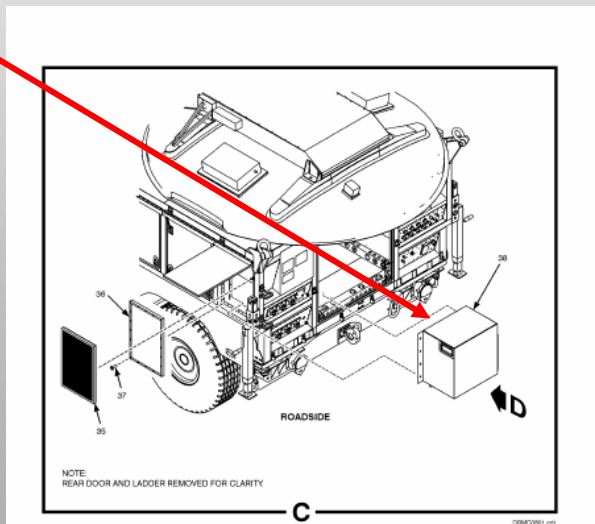
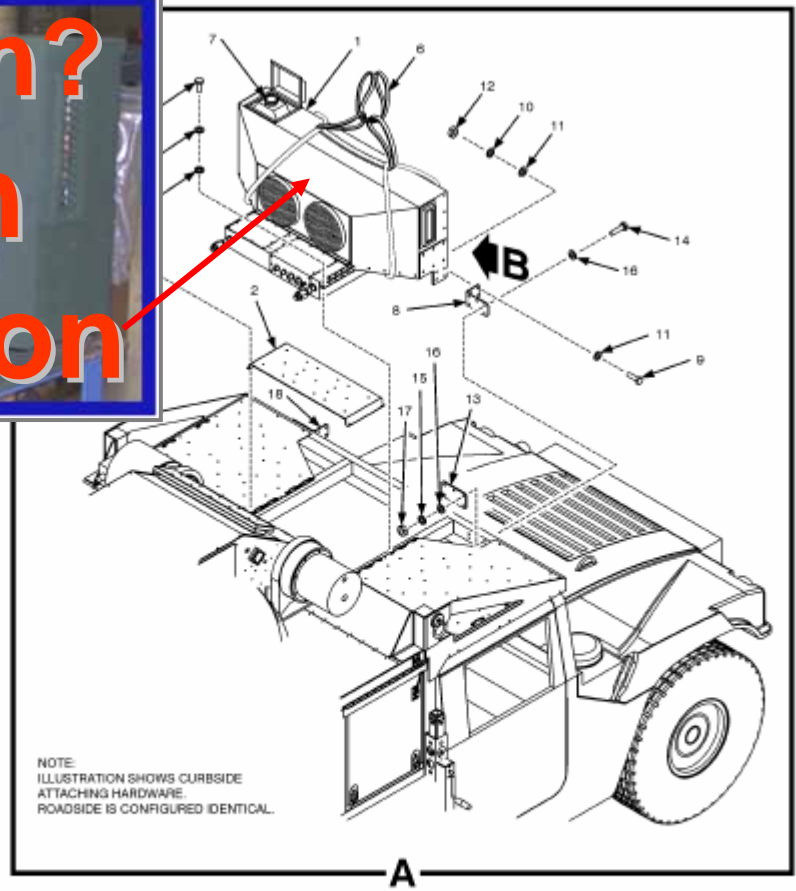
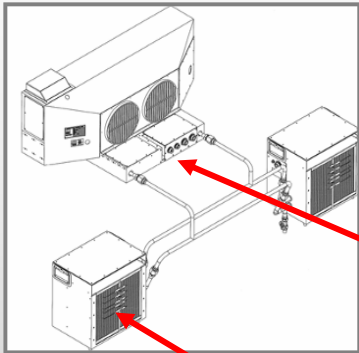


Figure C-24. Air Conditioner. (Sheet 4 of 6)

Figure C-24. Air Conditioner. (Sheet 2 of 6)

TM 11-5895-1735-12&P

TM 11-5895-1735-12&P

C-76



# 17,000 BTU / 1.4 ton Condenser Chiller Module AN/TSC-156

Pre-Release Run Up &  
Final Testing prior to  
shipping

